

Technical Disclosure Commons

Defensive Publications Series

September 2022

THUNDERBOLT ADD-IN CARD WITH DETACHABLE PD SUPPORTED

HP INC

Follow this and additional works at: https://www.tdcommons.org/dpubs_series

Recommended Citation

INC, HP, "THUNDERBOLT ADD-IN CARD WITH DETACHABLE PD SUPPORTED", Technical Disclosure Commons, (September 18, 2022)

https://www.tdcommons.org/dpubs_series/5384



This work is licensed under a [Creative Commons Attribution 4.0 License](https://creativecommons.org/licenses/by/4.0/).

This Article is brought to you for free and open access by Technical Disclosure Commons. It has been accepted for inclusion in Defensive Publications Series by an authorized administrator of Technical Disclosure Commons.

Thunderbolt add-in card with detachable PD supported

Abstract

Most Thunderbolt (TBT) add-in card solutions, there are several PDP (PD power) ratings defined in the spec across 15W, 27W, 45W, 60W, 100W, 140W, 180W and 240W...etc. It makes customer feels dilemma to make the decision to expand their system. The innovation idea here provides the perfect solution to fulfill customer requirements.

Problems Solved

To fulfill the best customer Thunderbolt add-in card solution and budget planning. The solution could class like the below:

1. TBT function and might 5V/3A only (Fig. 1)
2. Attached PD module to support TBT + powerful PD spec (Fig. 2)

Therefore, customers could have better flexibility in decision making.

Operation

Refer the Fig.3, the operation flow states the function of product spec could be config by ROM selective accordingly. For example, if customers select TBT 5V/3A only, the product will auto-config as TBT functionality directly as the path left. Of course, if the customer buys another PD module, then attached to the original TBT board in the end, the integrated product will become TBT+ powerful PD as expected (goes to the right side).

TBT offers 5V/3A

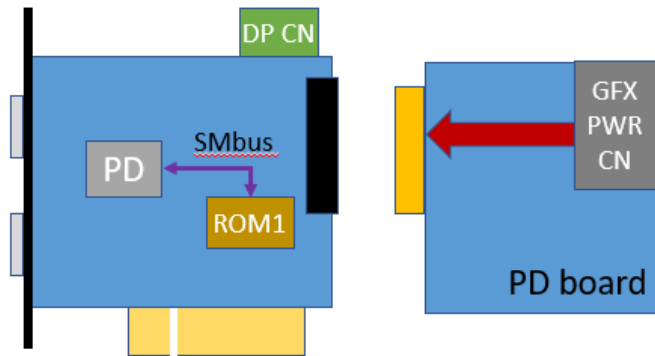


Figure list:

Fig. 1 Thunderbolt add-in card only

TBT within PD offers up to 240w (48V/5A)

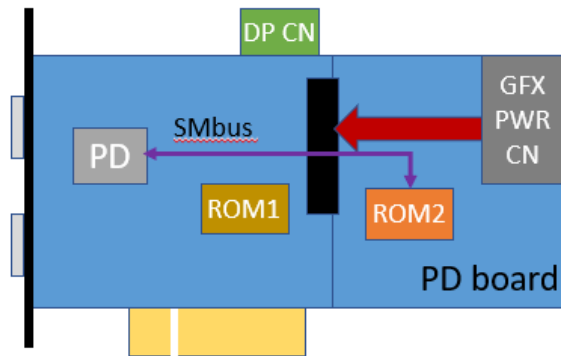


Fig. 2 Thunderbolt add-in card attached PD module

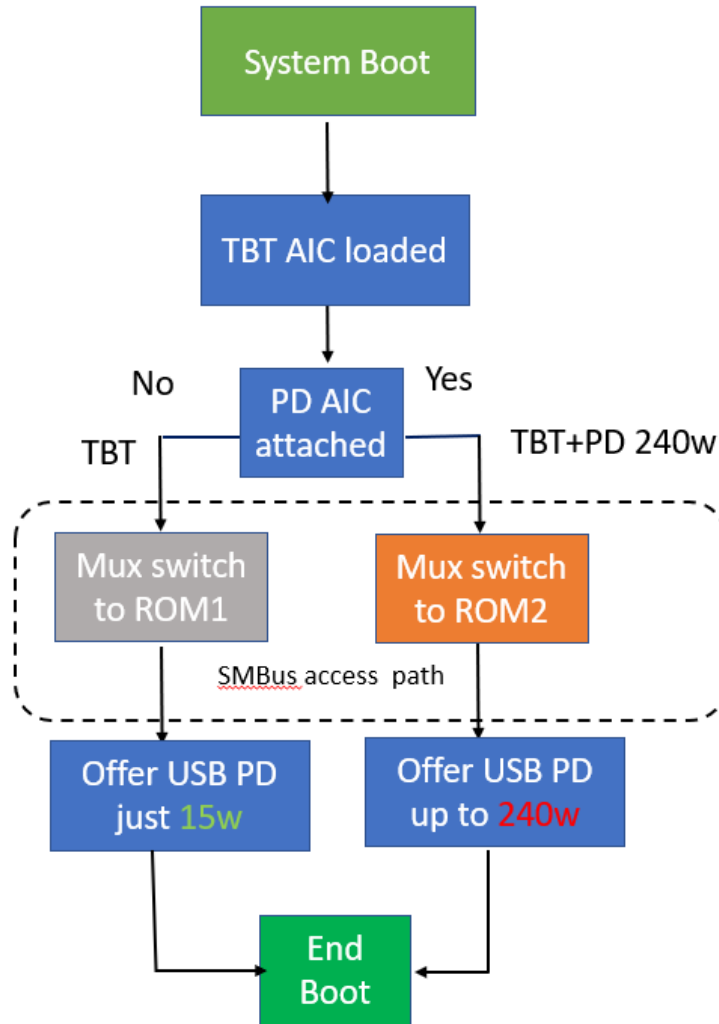


Fig. 3 operation flow chart

Disclosed by Chao-Wen Cheng, Karl Cheng, William Lin and Jeremy Chen, HP Inc.