

Technical Disclosure Commons

Defensive Publications Series

April 2021

NAUTIC INSPIERE X

Axel Unger

Bertrandt Ingenieurbüro GmbH

Follow this and additional works at: https://www.tdcommons.org/dpubs_series

Recommended Citation

Unger, Axel, "NAUTIC INSPIERE X", Technical Disclosure Commons, (April 05, 2021)

https://www.tdcommons.org/dpubs_series/4204



This work is licensed under a [Creative Commons Attribution 4.0 License](https://creativecommons.org/licenses/by/4.0/).

This Article is brought to you for free and open access by Technical Disclosure Commons. It has been accepted for inclusion in Defensive Publications Series by an authorized administrator of Technical Disclosure Commons.

NAUTIC INSPIERE X

Technical task:

The idea is to develop a comprehensive holder:

- a basic module with at least one fastener
- at least one holder module, which connects to the basic module

Solution:

1. holder according to claim 1, in that the fastening means comprises at least one (in particular 1 or 2) T-like profile which is intended to be inserted into the groove of a fastening rail
2. holder according to claim 1 or 2, in that the fastener comprises at least one magnet.

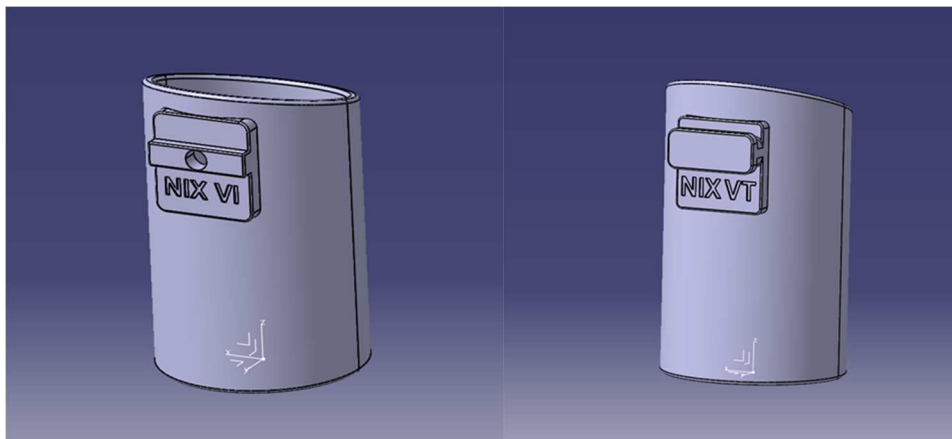
The NIX holder Nautic Inspire X should have two different names:

Version 1 - NIX VT base plate (Nautic Inspire X version table)

- can be used as organization rail at the desk and can be moved horizontally

Version 2 - NIX VI Base Plate (Nautic Inspire X Version Item)

- usable for all items, Varidee, Maytec, Gemayer aluminium profiles in the group
- for fixing all NIX VI structures horizontally and vertically with slot nut



Version 1 - NIX VT (Table version)

Version 2 - NIX VI (Item version)



screwable with slot nut for fastening

The holder is characterized by the fact that at least the basic module and/or the holder module can be manufactured by means of a 3D printing process and thus consists of a plastic material. The basic module and the holder module form a monolithic unit.

Advantages:

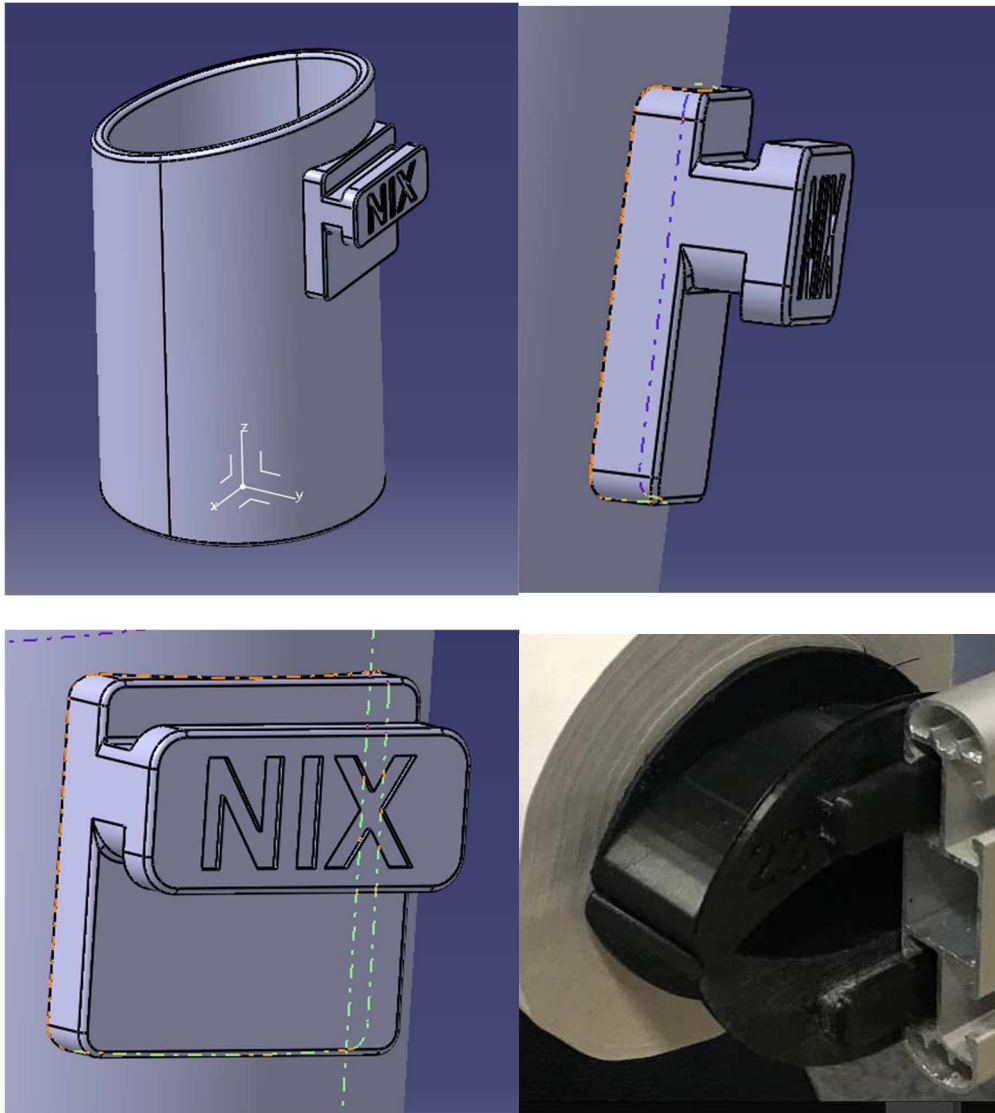
- Sliding and therefore flexible organization rail on the desk
- usable for all items, Varidee, Maytec, Gemayer aluminium profiles

Possible application:

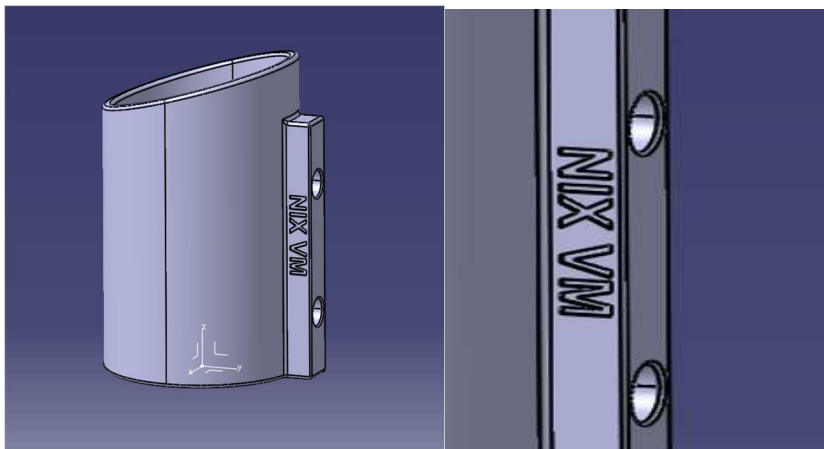
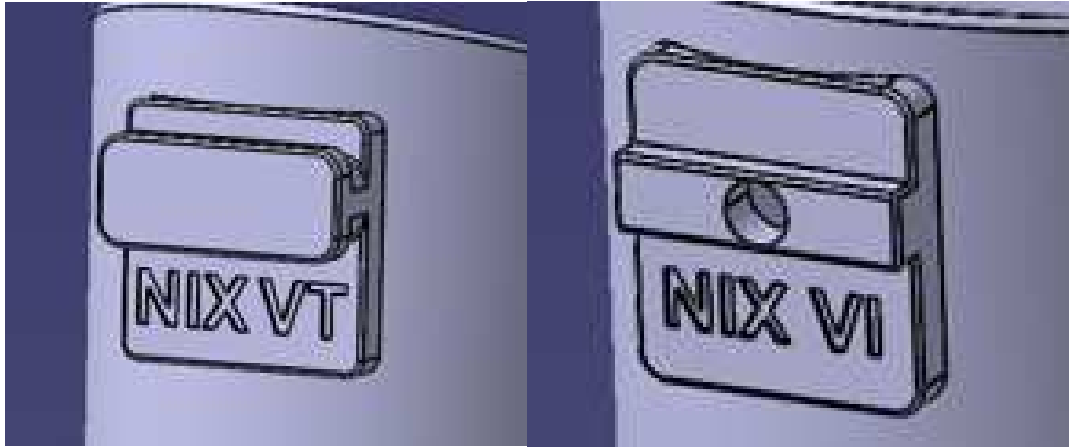
The holder module is intended for the reception of

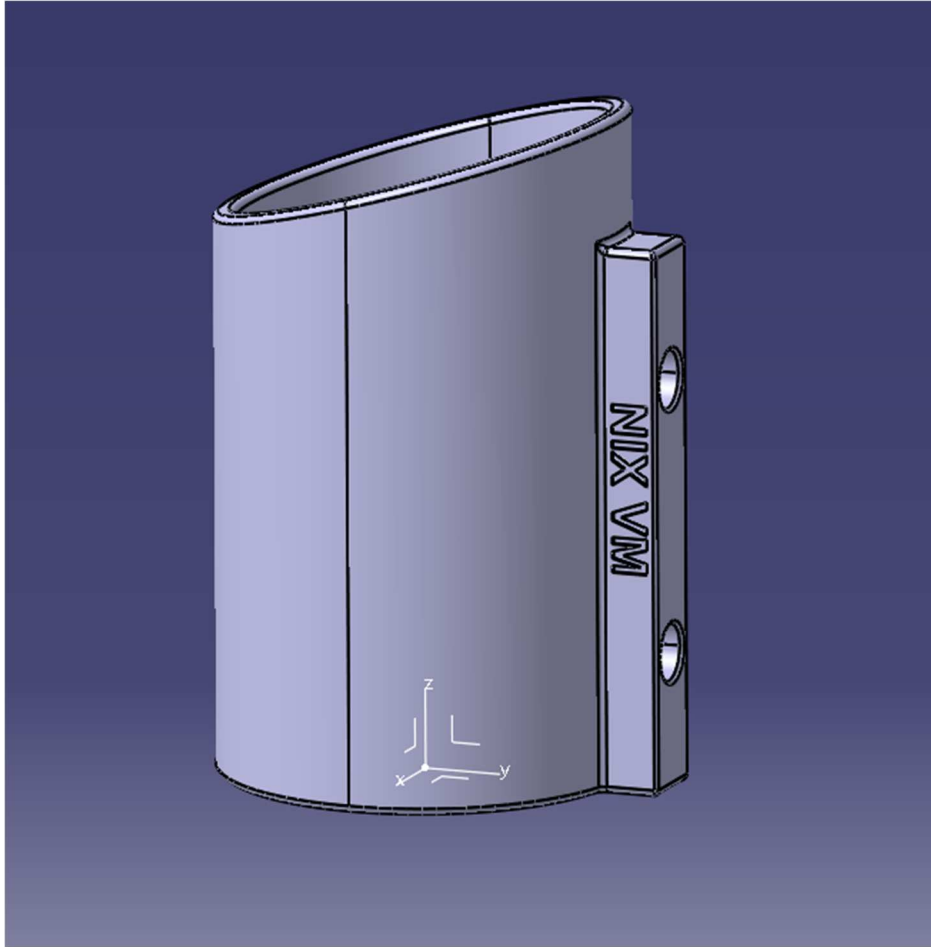
- Office supplies such as pens, scissors, ruler etc.,
- headphones,
- drinking vessels and/or
- Cable
- Or serves as storage surface

Sketches

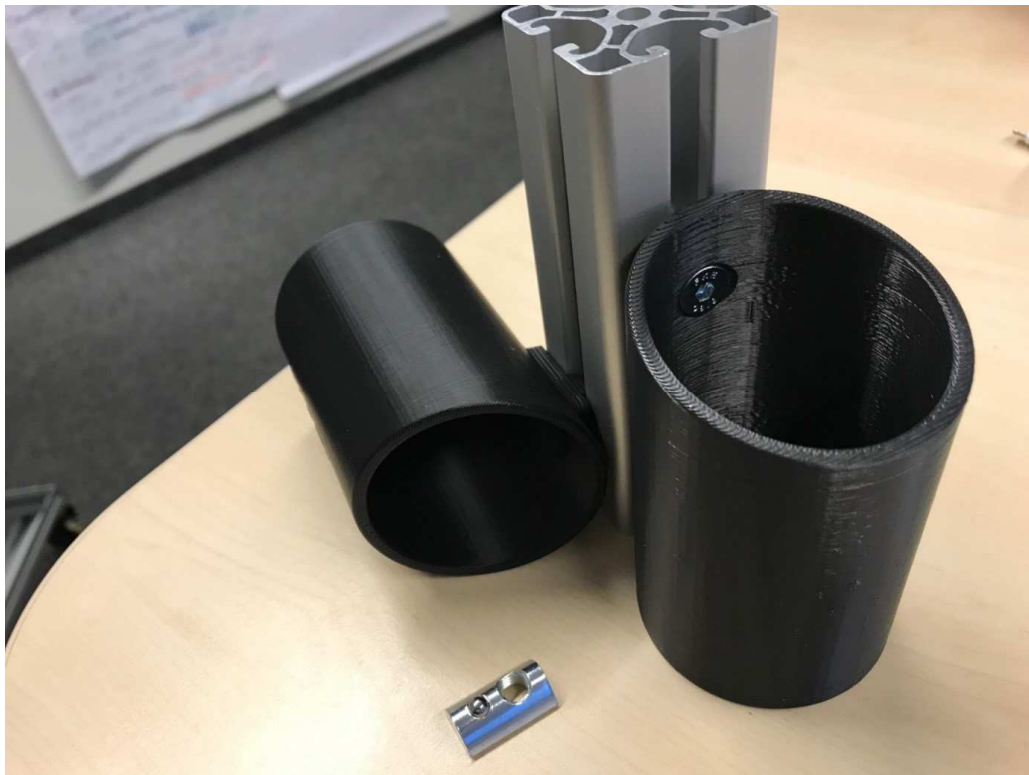


The holder and the base plate can vary in length or, for higher loads, can be mounted as NIX twice on two guides simultaneously.





Version Magnet



Version Item