

Technical Disclosure Commons

Defensive Publications Series

September 2020

ADDITIONAL BOTTLE HOLDER IN A DOOR PANEL IN THE CONTINUATION OF THE ARMREST

Verena Blunder
Bertrandt Ingenieurbüro GmbH

Follow this and additional works at: https://www.tdcommons.org/dpubs_series

Recommended Citation

Blunder, Verena, "ADDITIONAL BOTTLE HOLDER IN A DOOR PANEL IN THE CONTINUATION OF THE ARMREST", Technical Disclosure Commons, (September 01, 2020)
https://www.tdcommons.org/dpubs_series/3565



This work is licensed under a [Creative Commons Attribution 4.0 License](https://creativecommons.org/licenses/by/4.0/).

This Article is brought to you for free and open access by Technical Disclosure Commons. It has been accepted for inclusion in Defensive Publications Series by an authorized administrator of Technical Disclosure Commons.

ADDITIONAL BOTTLE HOLDER IN A DOOR PANEL IN THE CONTINUATION OF THE ARMREST

Technical task:

In the new electric cars, an additional shelf (e.g. as a drinks container) is to be integrated in the front area of the door panel.

Initial situation:

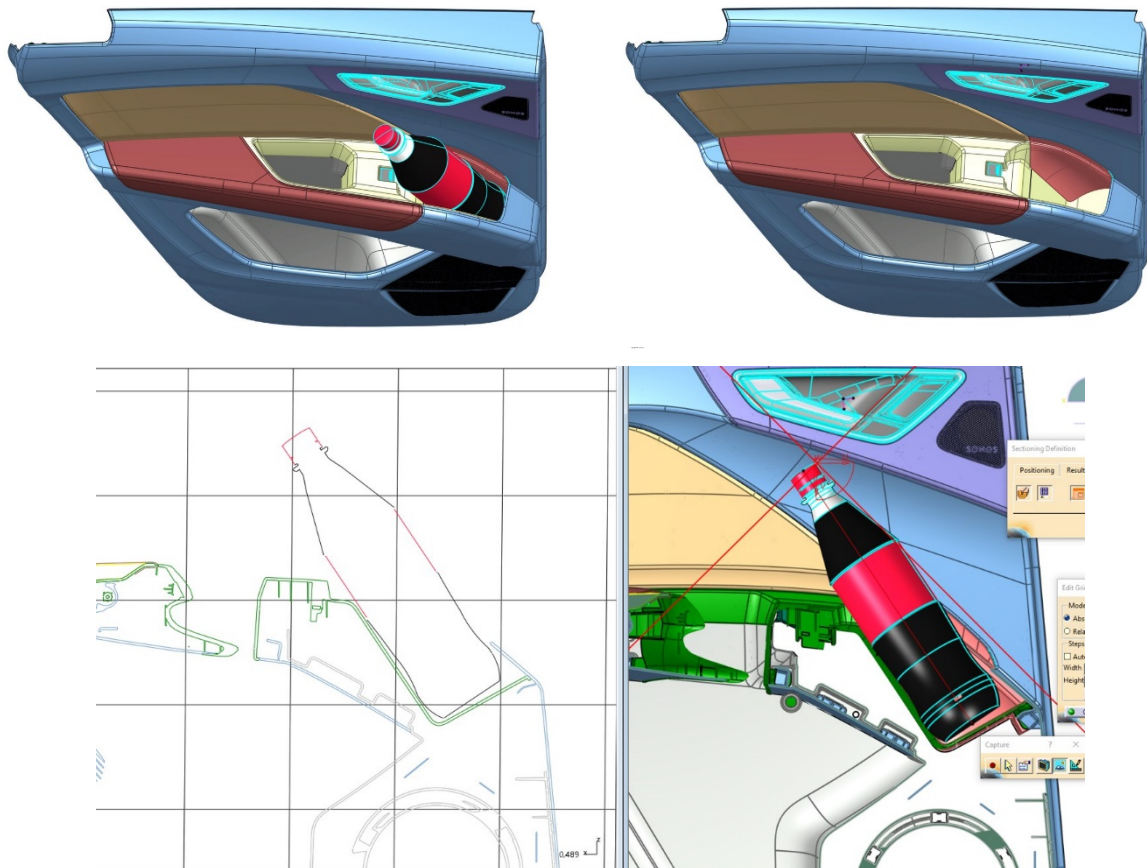
The Chinese market in particular is looking for such a storage system, but other markets also receive the additional storage space, e.g. for bottles. This space could not be used effectively until now.

Solution:

The storage compartment can be integrated into the front and rear door panels, see illustrations.

Advantages:

- Additional storage space
- This shelf can also be used ergonomically very well in order to use an additional operation when opening and closing the door when the door is wide open or for small persons.



Figures 1 - 3: Cuts of bottle compartment