

Technical Disclosure Commons

Defensive Publications Series

June 2020

MAGNETIC ROLLER BLIND FOR THE CENTRE CONSOLE SHELF IN THE VEHICLE

Verena Blunder
Bertrandt Ingenieurbüro GmbH

Follow this and additional works at: https://www.tdcommons.org/dpubs_series

Recommended Citation

Blunder, Verena, "MAGNETIC ROLLER BLIND FOR THE CENTRE CONSOLE SHELF IN THE VEHICLE", Technical Disclosure Commons, (June 29, 2020)
https://www.tdcommons.org/dpubs_series/3373



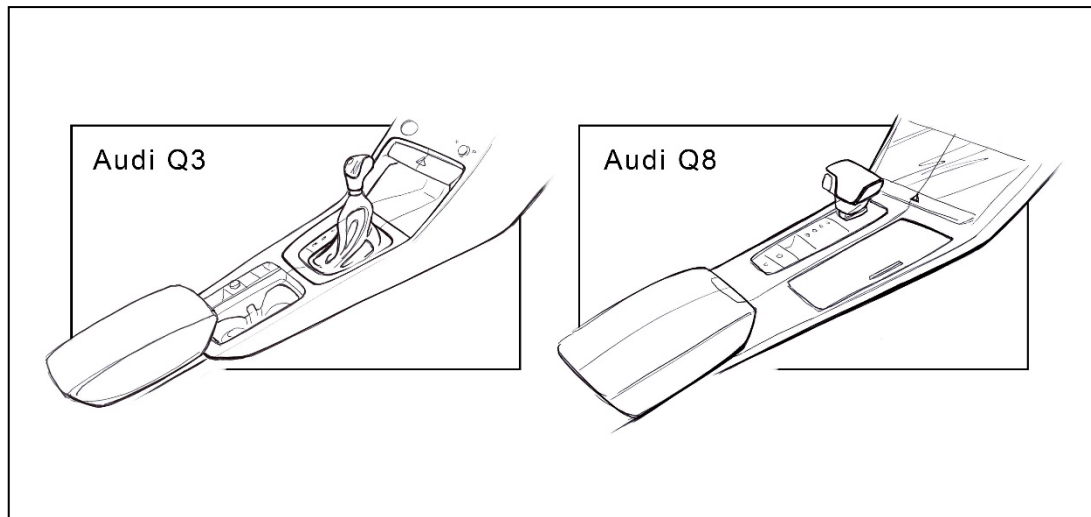
This work is licensed under a [Creative Commons Attribution 4.0 License](https://creativecommons.org/licenses/by/4.0/).

This Article is brought to you for free and open access by Technical Disclosure Commons. It has been accepted for inclusion in Defensive Publications Series by an authorized administrator of Technical Disclosure Commons.

MAGNETIC ROLLER BLIND FOR THE CENTRE CONSOLE SHELF IN THE VEHICLE

Technical task:

Currently, the space in the centre console is limited to CupHolders and under the armrest. The available space in front of the gearshift is occupied by other electronic components (handbrake, buttons ...).



Initial situation:

Personal belongings cannot be stowed away properly, resulting in chaos and disorder in the interior.

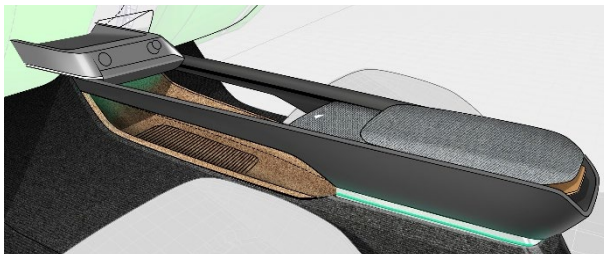
Solution:

If we consider that the entire centre console can be a large compartment for objects, a roller blind can be used as an option of a new level. In this layer, objects can be placed or underlying objects can be easily hidden.

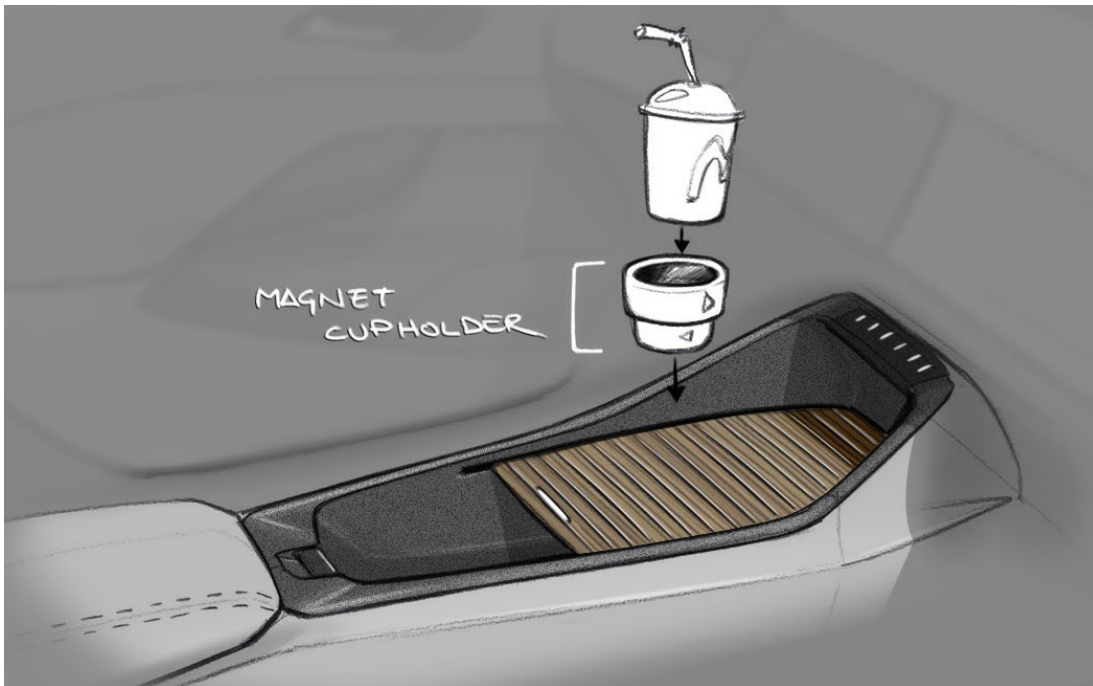
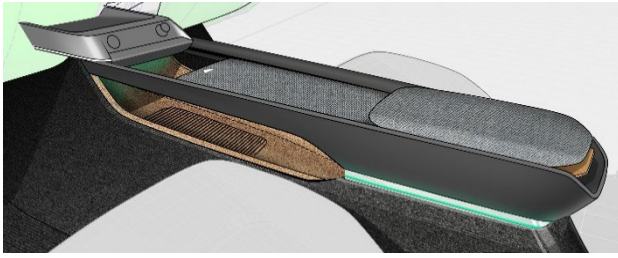
High quality materials can increase the quality and added value. Wood or textile are conceivable.

The roller blind can be metallic on the inside and can be combined with magnetic drink holders or other accessories.

roller blind open



Roller blind closed

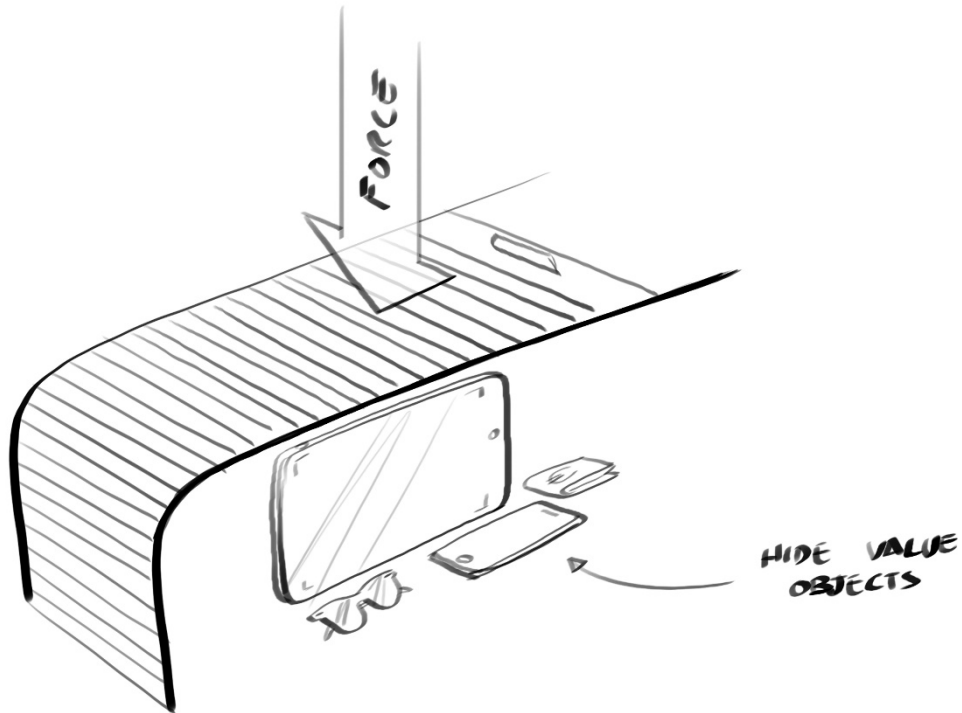


Advantages:

The roller blind may have a metal base to allow the use or attachment of magnetic cup holders or other accessories and to give the roller blind rigidity.

The roller blind can be rolled forward or backward depending on the configuration.

- Versatility of use
- Freedom to organize objects
- Valuables not visible from the outside
- Clean and decorative appearance when closed.
- Stability through metal body



Possible application:

The roller blind consists of a flexible plastic that can be rolled up.

The roller blind contains a magnetic material inside, which allows the use of magnets and at the same time has a stiffening effect.

Longitudinal section:

