

# Technical Disclosure Commons

---

Defensive Publications Series

---

May 2020

## UNIVERSAL LICENSE PLATE HOLDER INCLUDING TILT ADJUSTMENT AND RESIZING FOR ALL LICENSE PLATES WORLDWIDE

Verena Blunder  
*Bertrandt Ingenieurbüro GmbH*

Follow this and additional works at: [https://www.tdcommons.org/dpubs\\_series](https://www.tdcommons.org/dpubs_series)

---

### Recommended Citation

Blunder, Verena, "UNIVERSAL LICENSE PLATE HOLDER INCLUDING TILT ADJUSTMENT AND RESIZING FOR ALL LICENSE PLATES WORLDWIDE", Technical Disclosure Commons, (May 26, 2020)  
[https://www.tdcommons.org/dpubs\\_series/3264](https://www.tdcommons.org/dpubs_series/3264)



This work is licensed under a [Creative Commons Attribution 4.0 License](https://creativecommons.org/licenses/by/4.0/).

This Article is brought to you for free and open access by Technical Disclosure Commons. It has been accepted for inclusion in Defensive Publications Series by an authorized administrator of Technical Disclosure Commons.

## UNIVERSAL LICENSE PLATE HOLDER INCLUDING TILT ADJUSTMENT AND RESIZING FOR ALL LICENSE PLATES WORLDWIDE

### Technical task:

The license plate holder introduced below ensures that the device is standardized so that all country-specific license plates can be attached to it.

### Initial situation:

Currently, different license plate holders are required for different markets due to the different types of license plate and different requirements for the illumination of the license plate.

At present, patents exist for the attachment of license plates, which enable theft and counterfeit protection, easier installation, protection against damage and attachment to the bumper.

### Solution:

Subsequent license plate holder enables the use of a license plate holder in the different markets with different license plates, which have different requirements for the illumination of the license plate. This license plate holder is an inclination adjustment between the license plate holder (2) and the base plate (1). Due to the concave design of the base body and the convex design of the license plate holder in the mounting area, the inclination of the license plate holder can be adapted to the body surface (outer plate 6). This means that only one license plate holder needs to be installed on the vehicles. Ideally, this can be attached to the front and rear of the vehicle.

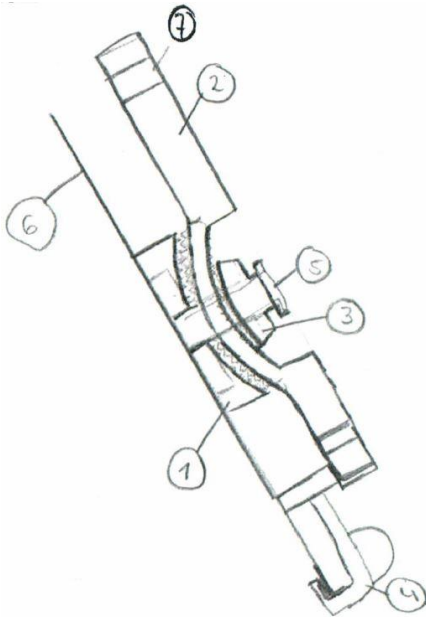


Figure 1

- 1 Base plate
- 2 License plate holder
- 3 Counterpart for fastening
- 4 Resources to country-specific settings
- 5 Screw
- 6 Outer part tailgate
- 7 Blind rivet nuts

### Advantages:

- easy fitting
- easy adaptability to body shape
- Size adjustment for all indicators