

# Technical Disclosure Commons

---

Defensive Publications Series

---

March 14, 2019

## SCREWLESS DESIGN WITH MAGNET

HP INC

Follow this and additional works at: [https://www.tdcommons.org/dpubs\\_series](https://www.tdcommons.org/dpubs_series)

---

### Recommended Citation

INC, HP, "SCREWLESS DESIGN WITH MAGNET", Technical Disclosure Commons, (March 14, 2019)  
[https://www.tdcommons.org/dpubs\\_series/2032](https://www.tdcommons.org/dpubs_series/2032)



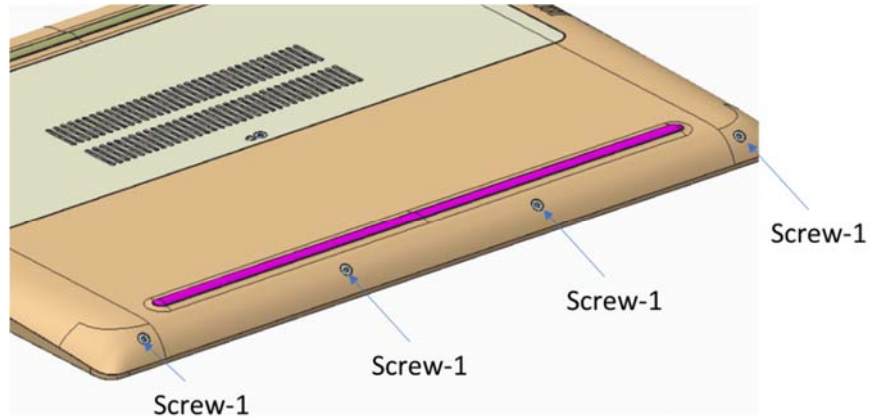
This work is licensed under a [Creative Commons Attribution 4.0 License](https://creativecommons.org/licenses/by/4.0/).

This Article is brought to you for free and open access by Technical Disclosure Commons. It has been accepted for inclusion in Defensive Publications Series by an authorized administrator of Technical Disclosure Commons.

## Screwless design with magnet

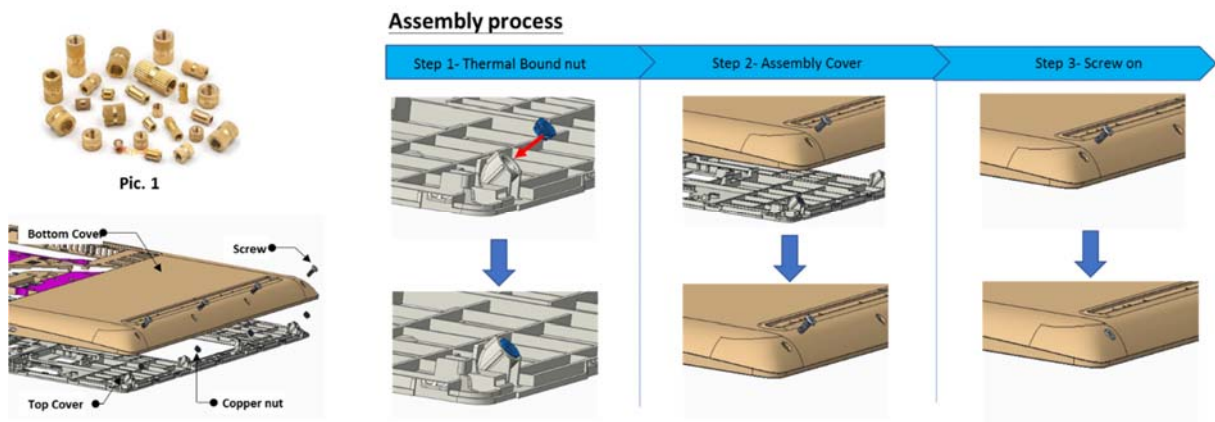
The laptop cover is on system side always with 2 parts, top cover and bottom cover. And the common design always used screw to combine them. The screw needs manual to assembly and from need design a nut to hold the screw.

The idea is using magnet to hold the cover. The covers can be attracted by magnetic of magnet.



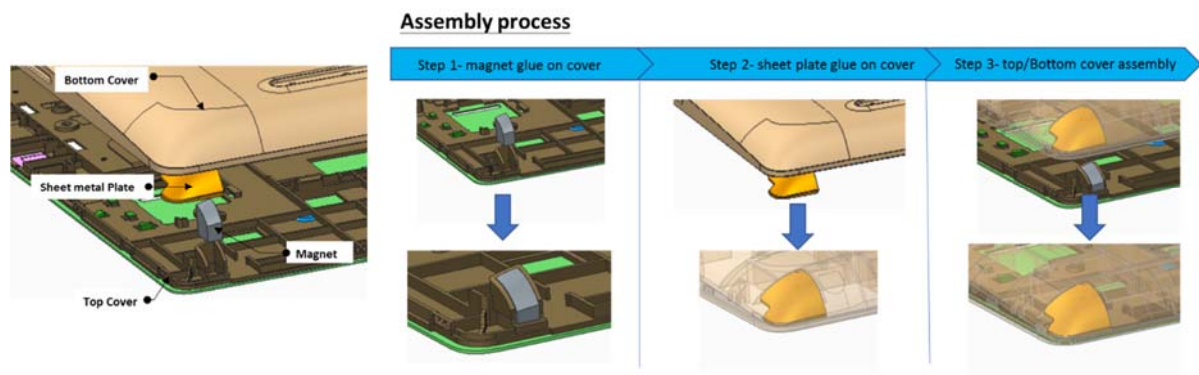
### • Current Solution

Current design is used screw to fix 2 covers. The one cover with copper nut(Pic. 1) which can provide thread to screw on.



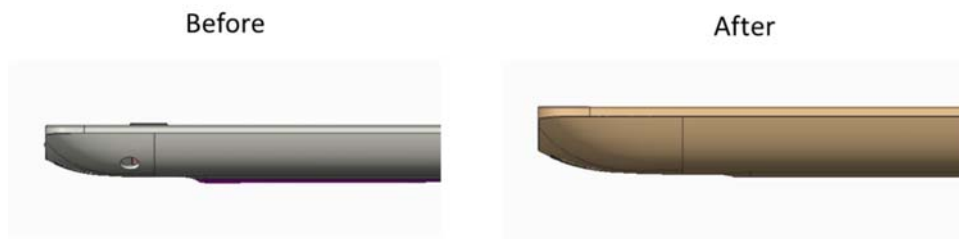
## • Production Solution

The laptop used magnet is very common in design. We always put magnet for auto-lock. The production idea is utility those magnets to attract bottom cover. We just need to mount the sheet metal design on bottom cover then they could be attract by magnetic.



## • Advantage

- The bottom without screw hole where have good ID appearance.



- With screw, we could save screw material cost
- The sheet metal plate could protect corner of plastic cover when drop test
- Used original magnet design. So, no magnet cost add.

**Disclosed by Edward Chen, Ben Chuang and Allen Chen, HP Inc.**

